



800-336-4864

tele-movers.com

CSH24CH

Colored Light Strobe/Horn Series

High Candela



Description

AMSECO's UL listed Colored Light Strobe CSH24CH series is designed to provide audible and visual signals for Fire Alarm Protection Systems and notification signals for the purpose of life safety and property protection. They meet or exceed NFPA/ANSI standards and UL 464/UL1638.

The CSH24CH is a **Select-A-Horn**[®] with the highest strobe light output (non-selectable candela). The colored light is available in Amber, Blue, Green and Red. The light output candela ratings vary depending on the lens color.

In those instances where two or more AMSECO horns and/or strobes are connected and requires a synchronized code 3 temporal pattern and/or a synchronized strobe flash, all models can be synchronized when used in conjunction with AMSECO UL listed Sync module SMD10-3A to meet the latest code.

Features

- Available colored lights: amber, blue, green, red
- NFPA/ANSI compliant
- UL listed for Ceiling/Wall Mounting under UL 1638
- Designed for use in non-sleeping areas
- Screw terminal capacity up to 12 AWG
- Polarized strobes with wide operating voltage range using filtered DC or unfiltered FWR input voltage
- Horn field selectable tones: 3000Hz interrupted or Electro-mechanical Temporal or Non-temporal High or Low dBA output
- Minimum one flash per second (1Hz)
- All models mount to 4" X 4" X 1-1/2" back box
- Synchronization requires an AMSECO SMD10-3A Sync Module
- RBX-1 back box skirt for surface mount (optional)
- The SPC-1 retrofit plate allows mounting to a variety of back boxes
- Available in red or white housing

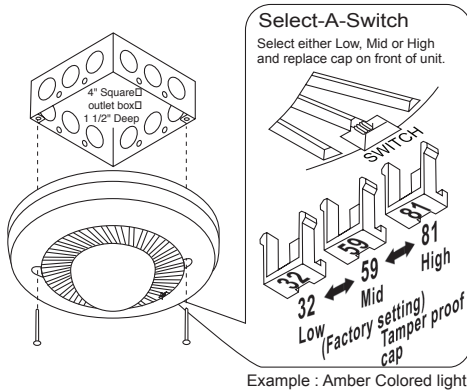
Ordering Information

Model Number	Colored Light	Housing Color	Input Voltage	Strobe Candela	Mounting Type	Light Output	Flash Rate (Times/min)	Sync Module	Temperature Operating Range
CSH24CH-AW	Amber	White	Regulated 24V DC/FWR	138	Wall or Ceiling Mount	Non- Selectable	60	SMD10-3A	32°F ~ 120°F (0°C ~ 49°C)
CSH24CH-BW	Blue			74					
CSH24CH-GW	Green			145					
CSH24CH-RW	Red			65					
CSH24CH-WW	White	Red		138					
CSH24CH-AR	Amber			138					
CSH24CH-BR	Blue			74					
CSH24CH-GR	Green			145					
CSH24CH-RR	Red			65					
CSH24CH-WR	White			138					

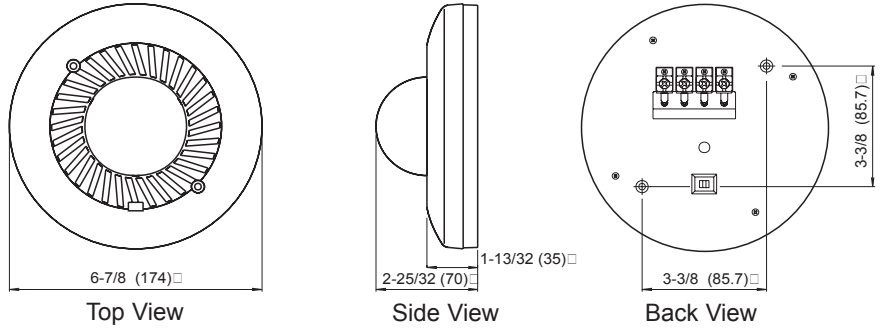
Engineering Specifications

The audible and colored visual alarm indicating appliance shall be AMSECO model CSH24CH or equivalent device. The Horn/Strobe shall be listed under UL 1971 and UL 1638 Standard for signaling devices and shall be approved for fire protective and emergency services. The reflective mirror shall be of the same color as the lens of amber, blue, green, or red. The candela output shall have a single setting of High intensity output. The Horn shall provide two different field selectable tones and a High and Low field sound output setting. The signaling Horn/Strobe shall operate on 24VDC from a non-coded regulated DC supply or full-wave rectified, unfiltered supply. The signaling strobe shall be designed to produce a signal flash of one flash per second with continuously applied minimum voltage. The Horn/Strobe shall be capable of CEILING and WALL mounting to a variety of back boxes using the AMSECO SPC-1 retrofit back plate. When strobe synchronization is required, the Horn/Strobe shall be compatible with the AMSECO SMD10-3A (daisy chain) or other source of AMSECO sync protocol.

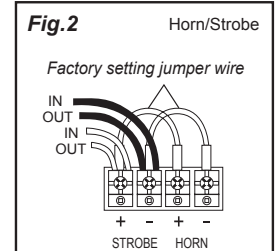
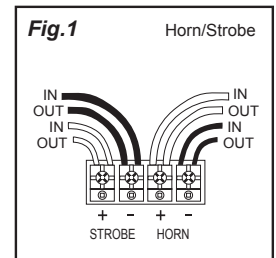
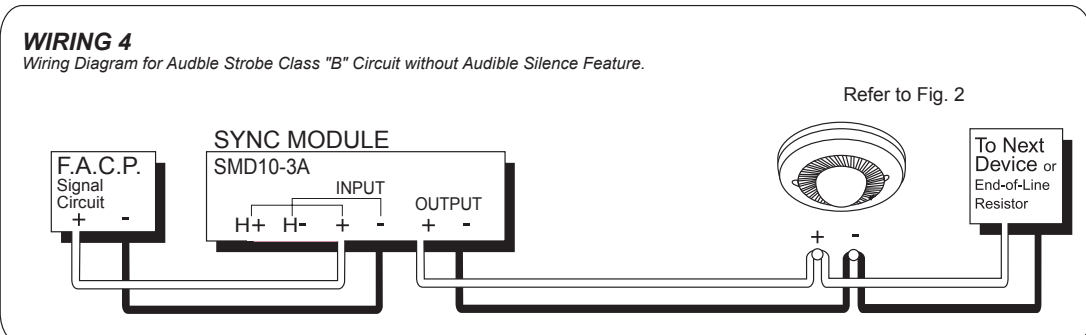
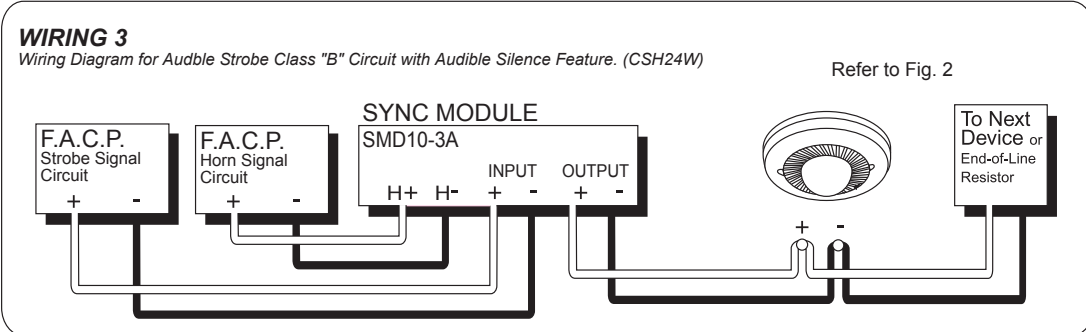
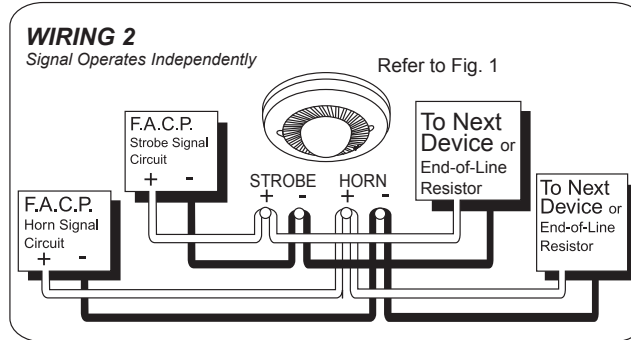
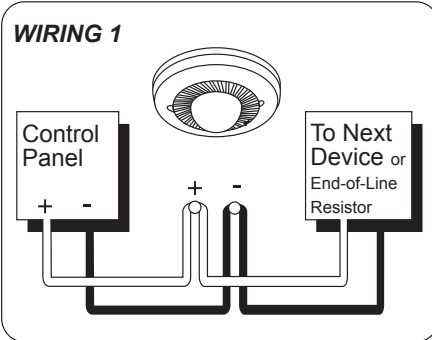
Strobe Selectable Candela Output



Dimensions: Inches (mm)

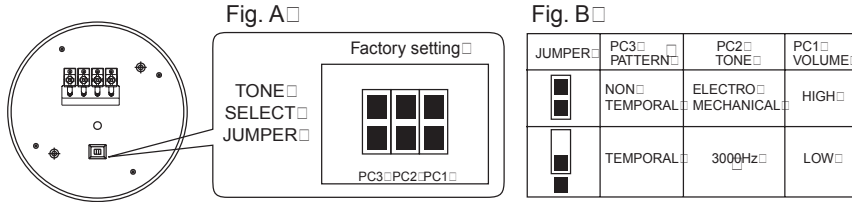


Wiring Diagrams



WARNING The Strobe/Horn must be used only on circuits with continuously operating voltage. DO NOT use strobe on coded or interrupted circuits in which the applied voltage is interrupted ON and OFF as the strobe may fail to flash. The applied voltage must be within its rated input voltage range. Fuse ratings on signaling circuits must handle peak currents from all devices connected to those circuits.

Horn Selectable Jumper Setting



Specifications

Strobe/Horn Current Draw Table			PC3: Pattern PC2: Tone PC1: Volume			Max. RMS Operating Current (mArms)		Min. Sound Output (dBA @ 10ft per UL464)	
			PC3	PC2	PC1	Regulated 24V DC	Regulated 24V FWR	Regulated 24V DC	
Horn & Strobe	Non-Temp.	Electro Mechanical	HIGH	1	1	1	419	511	86
			LOW	1	1	0	402	497	76
		3000 Hz	HIGH	1	0	1	419	511	87
			LOW	1	0	0	402	497	77
	Temporal	Electro Mechanical	HIGH	0	1	1	419	511	80
			LOW	0	1	0	402	497	73
Horn ONLY	Non-Temp.	Electro Mechanical	HIGH	1	1	1	49	45	86
			LOW	1	1	0	34	34	76
		3000 Hz	HIGH	1	0	1	49	45	87
			LOW	1	0	0	34	34	77
	Temporal	Electro Mechanical	HIGH	0	1	1	49	45	80
			LOW	0	1	0	34	34	73
		3000 Hz	HIGH	0	0	1	49	45	82
			LOW	0	0	0	34	34	74

	Max. RMS Operating Current (mArms)	
	Regulated 24V DC	Regulated 24V FWR
Strobe Light ONLY	359	452

Light Output Dispersion

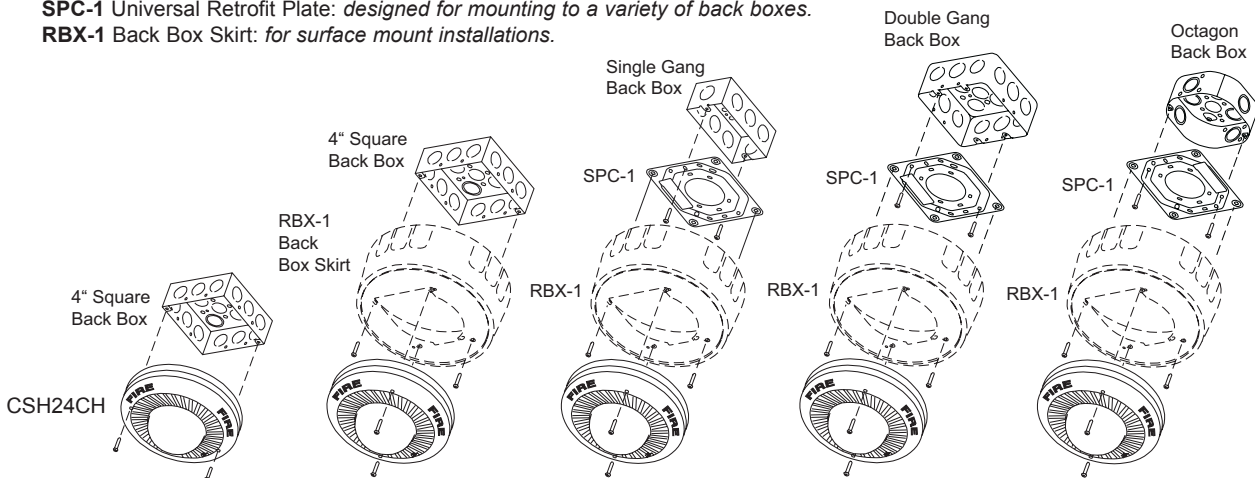
	Light Output on Axis (cd)
Amber	138
Blue	74
Green	145
Red	65
White	138

Sound Output Dispersion

DEGREES		Horizontal	Vertical
	+90	-2dB	-5dB
+60	0dB	-2dB	
+30	1dB	-1dB	
0	0dB	0dB	
-30	-2dB	-1dB	
-60	-3dB	-2dB	
-90	-6dB	-5dB	

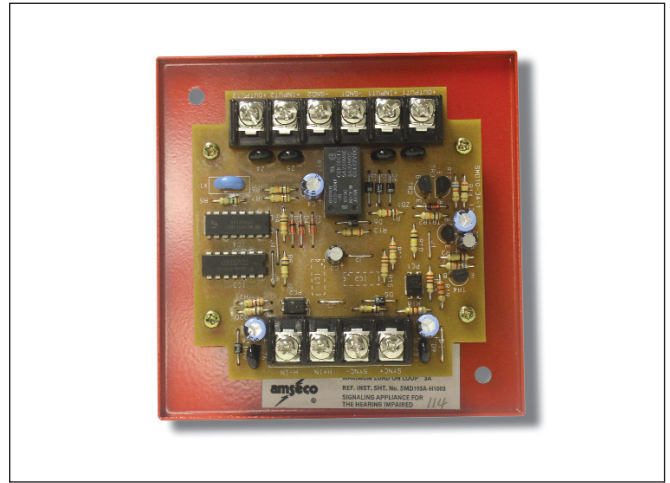
Installation and Mounting Options

SPC-1 Universal Retrofit Plate: *designed for mounting to a variety of back boxes.*
RBX-1 Back Box Skirt: *for surface mount installations.*



SMD10-3A

Sync Module



Description

The Sync Module is designed to provide a synchronized temporal pattern (code 3) tone, and synchronize the strobe flashes when used with AMSECOs **Select-A-Strobe**[®], **Select-A-Horn**[®], and **Select-A-Horn/Strobe**[®] series as well as the ability to silence the horn while maintaining the strobe flashes.

The SMD10-3A has the capability of connecting two style Y (Class B) circuits or one style Z (Class A) circuit and is rated for 3 Amperes per circuit.

The SMD10-3A can be interconnected so that more than 2 alarm zones can be synchronized by connecting the SYNC terminals (daisy chain connection). The maximum number of interconnected modules is twenty. All inputs are polarized for compatibility with standard reverse polarity supervision of circuit wiring by F.A.C.P.

Features

- Polarized with wide operating voltage range using filtered DC or unfiltered FWR input voltage
- Mounts onto 4-inch square back box
- Daisy chain up to 20 modules maximum
- Screw terminal capacity up to AWG#12
- Red metal plate

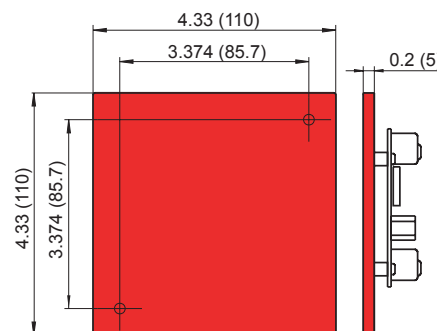
Compatible AMSECO products

SH24W-153075	SH24W-75110	H24W
SL24W-153075	SL24W-75110	SA24 Series
SHB24-75	SLB24-75	SB24 Series
SAD24-153075	SAD24-75110	Colored Light
RSD24-153075	RSD24-75110	Strobe Series
SCM24W-3075110	SCM24W-177	

Specification

Input Voltage	Regulated 24V DC/FWR	
Operating Voltage Range	16 ~ 33V DC/FWR	
Maximum Load on Loop	3A Average Max. 5A Peak	
Max. RMS Operating Current	DC	34mA
	FWR	68mA
Mounting Back Box	4" x 4" x 1-1/2"	
Operating Temperature Range	32°F ~ 120°F (0°C ~ 49°C)	

Dimensions: inches(mm)



Daisy Chain Modules

